



## HAND GROUT PUMP

**Introducing the best hand grout pump available for the mining and construction industry: Lightweight yet sturdy, easy to carry and perfect for tight spaces, this small pump delivers in reliability and performance. This pump can be used anywhere an engine-powered grouting rig is deemed too large or expensive for the size of the job, or when a job site is difficult to reach with large equipment.**

- ◆ Lightweight, sturdy and easily transported
- ◆ Manual mixing and pumping action
- ◆ All components recessed within the outer limits of the pump to avoid damage to working parts
- ◆ Pump features an integral drain plug for quick and easy cleaning
- ◆ Low profile and compact design for use in confined locations
- ◆ Mixing tank incorporated into the design
- ◆ Can deliver up to 85psi pressure if required
- ◆ Can be fitted with either air or hydraulic drive systems

### APPLICATIONS

- ◆ All grouting and cement placement applications
- ◆ Pump exchange program and technical support is available

### SPECIFICATIONS

- ◆ Pumping output capacity: up to 15 gpm
- ◆ Line pressure: 0-85 psi
- ◆ Weight: 68 lbs. (can ship UPS)
- ◆ Power source: manual (air and hydraulic available)
- ◆ Dimensions: 40" L x 17" W x 27" H
- ◆ Standard hose: 15 feet
- ◆ Mixing tank capacity: 15.5 gallons



# HAND GROUT PUMP PARTS LIST

WHEN ORDERING SPARES SPECIFY THE PART NUMBER. Item numbers are for reference ONLY.

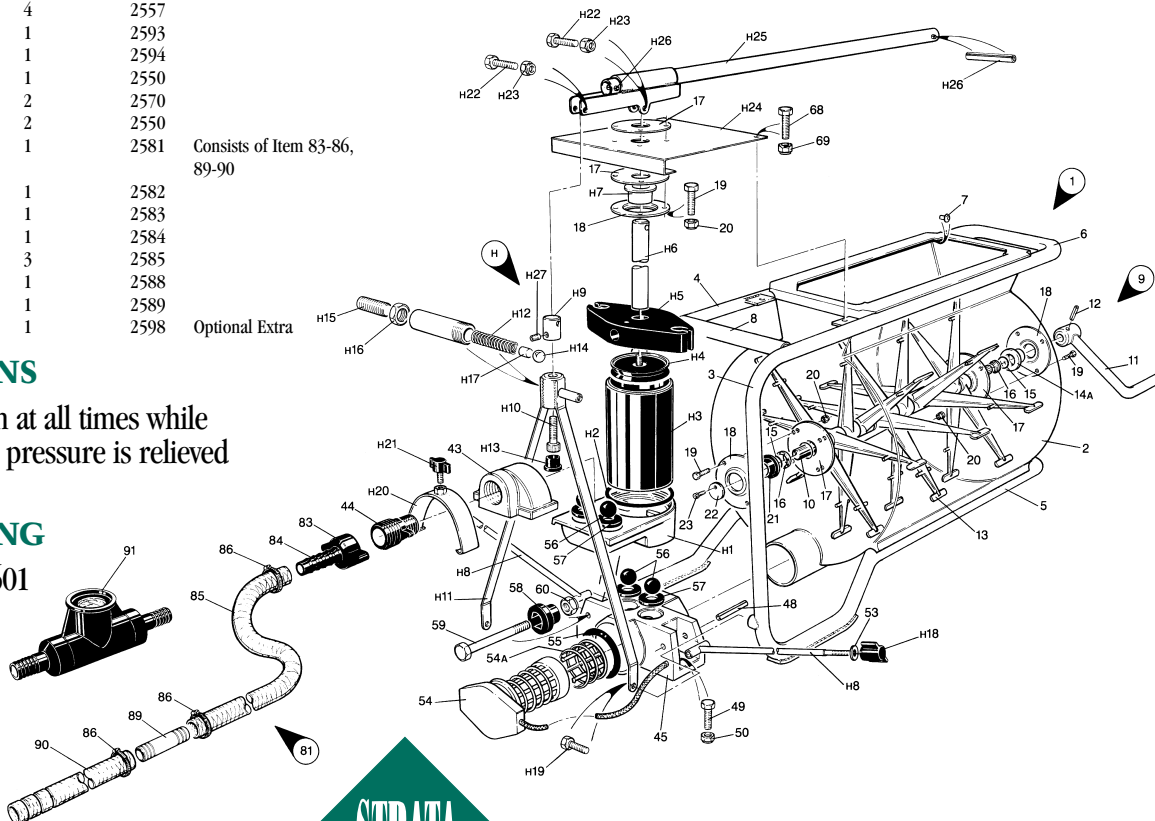
Item No.	Description	Qty./Pump	Part #	Remarks	Item No.	Description	Qty./Pump	Part #	Remarks
1	TANK & FRAME ASSEMBLY	1	2501		H	PUMP ASSEMBLY HAND	1		
2	TANK, Mixer	1	2502		H1	PUMP BASE	1	2701	
3	FRAME, Left	1	2503	Available as Frame Assembly	H2	"O" RING	1	2702	
4	FRAME, Right	1	2504		H3	CYLINDER	1	2703	
5	FRAME, Bottom	1	2505		H4	PISTON	1	2704	
6	FRAME, Top	1	2506		H5	PUMP TOP	1	2705	
7	RIVETS	12	2507		H6	PUMP SHAFT	1	2706	
8	HANDLE, Frame	1	2508	Consists of Item 1 plus Items 10 to 20	H7	BUSH	1	2707	
9	MIXER ASSEMBLY	1	2509		H8	TENSION ROD	2	2708	
10	SHAFT, Mixer	1	2510		H9	INDICATOR CLEVIS	1	2709	Optional fitting available—Automatic Pressure Release Mechanism
11	HANDLE W. BOSS, mixer	1	2511	H10	INDICATOR CAPSCREW	1	2710		
12	PIN, Selloc	1	2512	H11	INDICATOR YOKE ASSEMBLY	1	2711		
13	PADDLE	11	2513	H12	INDICATOR COIL SPRINGS	2	2712		
14A	BUSH, Mixer Handle End	1	2514N	H13	INDICATOR SEAL PLATE	1	2713		
15	"O" RING	3	2515	H14	INDICATOR BALLS	2	2714		
16	SEAL, Wiper, Rod	2	2516	H15	INDICATOR GRUB SCREWS	2	2715		
17	PLATE, Hub, Inner	2	2517	H16	NUT, Lock	2	2716		
18	PLATE, Hub, Outer	2	2518	H17	FOLLOWER, Ball	2	2717		
19	SCREW, Set, Hex	8	2519	H18	NUT TENSION	2	2718		
20	NUT, Nyloc	8	2520	H19	HEX SET SCREW	2	2719		
21	BUSH, Mixer Pump End	1	2595	H20	STIRRUP CLAMP	1	2720		
22	PLATE	1	2522N	H21	STIRRUP WING NUT	1	2721		
23	SCREW, Soc. Hd. Cap	1	2523N	H22	HEX SET SCREW	2	2722		
43	MANIFOLD, Outlet	1	2543	H23	NUT, Nyloc	2	2723		
44	SPUD	1	2544	H24	TOP PLATE	1	2724		
45	MANIFOLD, Inlet	1	2545	H25	HANDLE	1	2725		
48	PIN, Selloc	1	2548	H26	PIN, Selloc	2	2512		
49	SCREWS, Set, Hex	2	2549	H27	SCREW, Soc. Hd. Cap	1	2726		
50	NUT, Nyloc	4	2550						
53	WASHER	2	2553						
54	FILTER W. TAIL	1	2554						
54A	FILTER, Extension	1	2554N						
55	RING, Seal	1	2555						
56	BALL	4	2556						
57	SEAT	4	2557						
58	FILTERLOCK	1	2593						
59	BOLT HEX	1	2594						
60	NUT, Nyloc	1	2550						
68	SCREW HEX SET	2	2570						
69	NUT, Nyloc	2	2550						
81	HOSE ASSEMBLY	1	2581	Consists of Item 83-86, 89-90					
83	NUT, Wing	1	2582						
84	TAIL	1	2583						
85	HOSE	1	2584						
86	CLAMPS, Hose	3	2585						
89	FITTING, Straight	1	2588						
90	HOSE, Connection Valve	1	2589						
91	INDICATOR, Pressure	1	2598	Optional Extra					

## SAFETY INSTRUCTIONS

- ◆ Safety glasses must be worn at all times while operating the system. Hose pressure is relieved by lifting the handle.

## ORDERING & SHIPPING

- ◆ Sales Office: 1-800-691-6601 or 770-321-2500
- ◆ Fax: 770-321-2520
- ◆ Shipping by next day UPS from our warehouse in Atlanta or Sutton, West Virginia



Strata Products® (USA) Inc.  
3939 Roswell Road NE, Suite 295 Marietta, GA 30062

Telephone: (770) 321-2500 Toll Free: 1 (800) 691-6601  
Fax: (770) 321-2520