

StrataConnect™ DigitalBRIDGE Plus+™

ADDING ETHERNET TO LEAKY FEEDER



POWER | DATA | RADIO

Powered by **RFI** Technology Solutions

Components:



DigitalBRIDGE Plus+ VHF BDA Line Amplifier

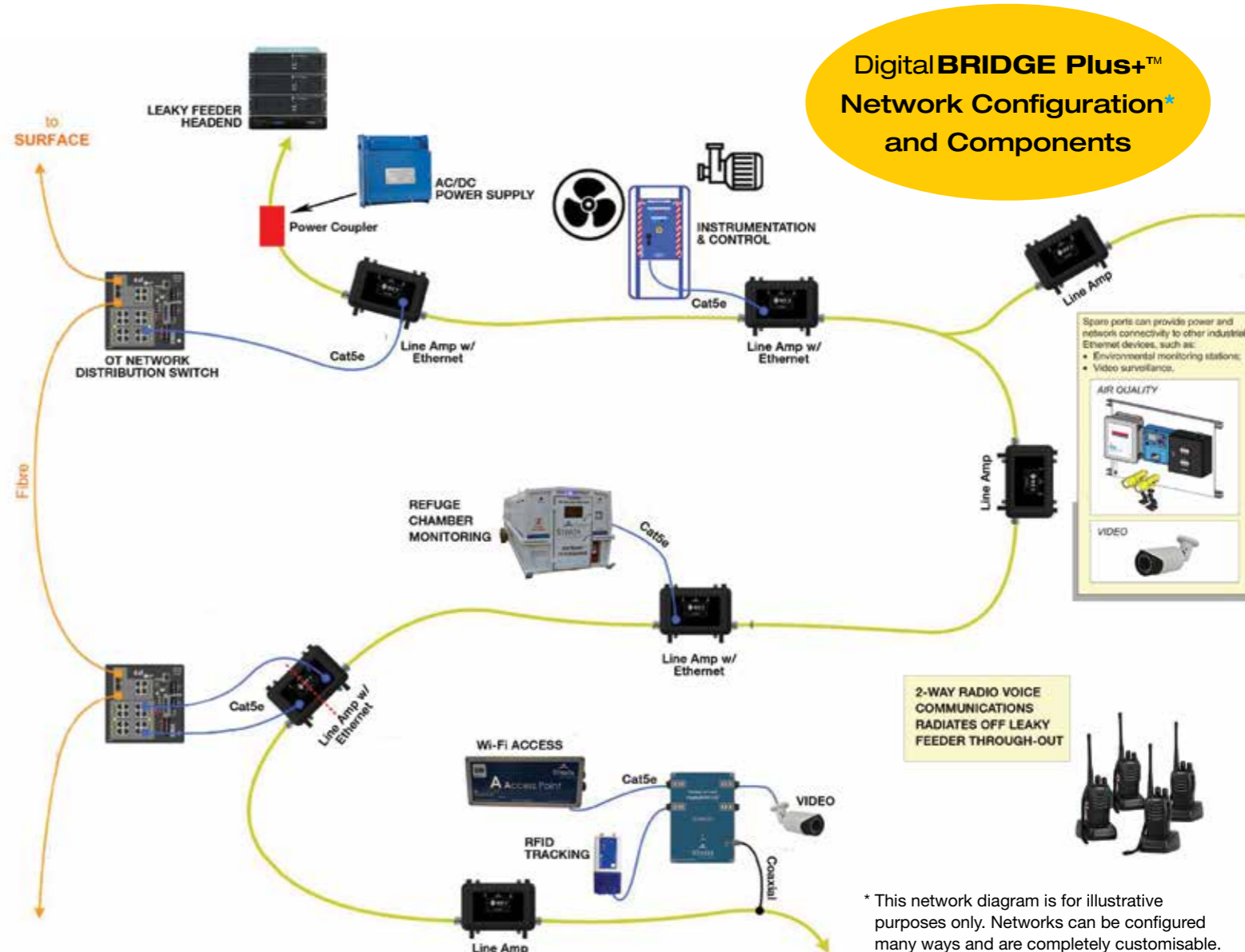
- Fully interoperable with 3rd party line amps
- Compatible with mainstream VHF leaky feeder channel plans
- Passes Ethernet Signal
- Recommended placement every 350-500m (1000 to 1600ft)*

DigitalBRIDGE Plus+ VHF BDA Line Amplifier with Ethernet

- Interfaces to site network to extend Ethernet backbone
- Provides two PoE ports for connection of Ethernet devices
- Amplifies radio signal and repeats Ethernet backbone
- Fully interoperable with 3rd party line amps
- Compatible with mainstream VHF leaky feeder channel plans
- Placement every 350-500m (1000 to 1600ft)*



*Distance dependent on PoE connections



QuadPort

- Four (4) Power-over-Ethernet (PoE) ports to supply power and Ethernet backhaul for the inclusion of PoE end-point devices.

Specifications:

- Digital: Up to 1 Gbps physical layer speed: typical end-to-end TCP throughput = 400-700Mbps
- Max gain > 25dB
- 28MHz radio bandwidth (13Mhz down-link, 15Mhz up-link)
- RF power output = +9dBm
- Direct Current (DC): 10 – 60 volts
- Ethernet ports on line amps: 2

ADDING ETHERNET TO LEAKY FEEDER

Power | Data | Radio

DigitalBRIDGE Plus+ offers the simplicity and performance of DigitalBRIDGE™ with the additional functionality of VHF radio. With the use of a leaky feeder coaxial cable, along with the high quality bi-directional DigitalBRIDGE line amplifiers, DigitalBRIDGE Plus+ delivers power, high-speed Ethernet and compatibility with all mainstream VHF leaker feeder channel plans over a single cable network.

Insert Ethernet into Leaky Feeder

Upgrade your existing system to enable high-speed Ethernet access without losing VHF voice communications by utilising the DigitalBRIDGE Plus+ line amplifiers with Ethernet. These hybrid line amps interface with the site network and carry high-speed Ethernet over leaky feeder cable.

DigitalBRIDGE Quadports can be easily spliced into the leaky feeder cable at any point to provide 4 high-power PoE ports for end-point devices.

CAPABILITIES	BENEFITS	
<ul style="list-style-type: none"> • Analog and digital radio, high-speed Ethernet and power distribution on a single cable • Wi-Fi access – VoIP • LTE/4G pico-cells • Environmental monitoring and instrument remote control (Pumps, fans, sensors) • Gas detection • IP cameras • Ethernet backhaul from ore drive to surface • Tele-remote operation • Fleet management • Refuge station connectivity • Cisco Discovery Protocol (CDP) support 	<ul style="list-style-type: none"> • Single coaxial cable network – Power, Ethernet & VHF • Power end-point devices without separate power source • Flexible placement of end-point devices – directly into Amp or along cable with Quadport • Flexible and changeable cable lengths • Power injected at any point along cable - travels in both directions • Simple to reconfigure and change end-point device locations • Fully manageable by on-site personnel 	<p>Also including:</p> <ul style="list-style-type: none"> • Ethernet access without losing radio capabilities with existing system • Bi-directional diagnostics and voltage detection - segment-by-segment problem location • Auto level control for consistent gain management, regardless of the number of channels operating simultaneously • Fully interoperability with existing leaky feeder components for improved performance • Reliability and familiarity of leaky feeder



AUSTRALIA
 Unit 1 /8 Channel Road, Mayfield West
 NSW, Australia, 2304
 T: + 61 02 4960 9705
 F: +61 24960 9938
 info@strataproducs.com.au

USA
 8995 Roswell Road, Suite 200
 Sandy Springs GA 30350 USA
 TF: 800-691-6601
 T: 770-321-2500
 F: 770-321-2520
 info@strataworldwide.com

SOUTH AFRICA
 Unit 15, Saligna Business Park
 3 Saligna Street, Boksburg, 1459
 T: +27 12 450 0960
 F: +27 86 721 4738
 info@strata-safety.co.za