

StrataConnect™ DigitalBRIDGE™

BRIDGING POWER & DATA TO THE EDGES OF YOUR MINE

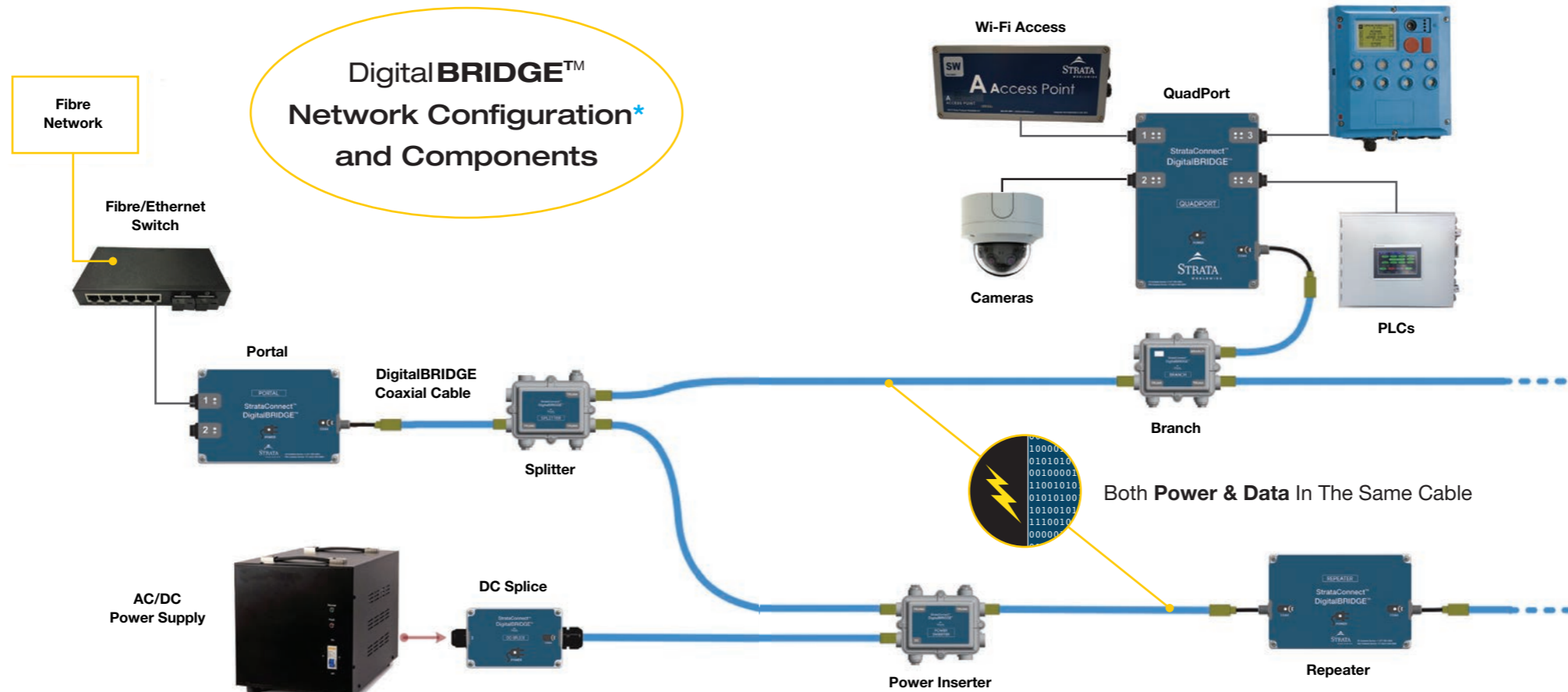
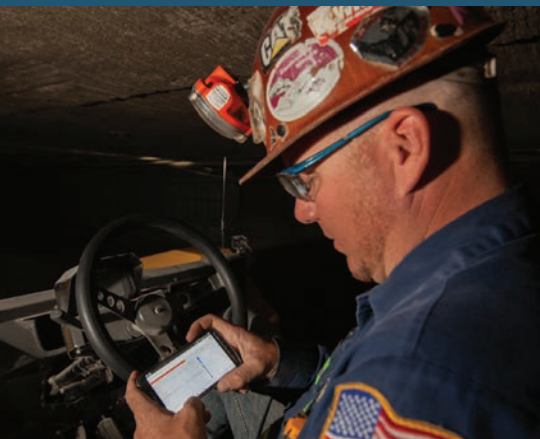


POINT-TO-MULTIPOINT PoE DISTRIBUTION



POWER | CONNECTIVITY | DEPLOYMENT

Powered by RFI Technology Solutions



* This network diagram is for illustrative purposes only. Networks can be configured many ways and are completely customisable.

Components:

- **Portal** - Bridge between the existing network and DigitalBRIDGE.
- **QuadPort** - Four (4) Power-over-Ethernet (PoE) ports to supply power and data backhaul for the inclusion of PoE end-point devices.
- **Power Inserter** - Places DC power onto the coaxial cable for operation of system components and end-point devices.
- **Repeater** - Digitally regenerates the data signal enabling cable segments to be extended indefinitely.
- **DC Splice** - Adapts regular DC power cable to coaxial cable format. Protects the power supply from short circuits and excessive voltage.
- **Branch** - Taps a portion of the power and data signal to enable a QuadPort to be spliced into the line.
- **Splitter** - Evenly divides the coaxial cable so the system can proceed down multiple headings.

Specifications:

PoE Cable:

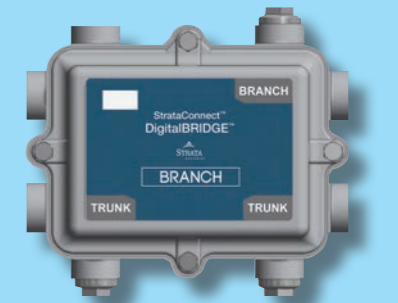
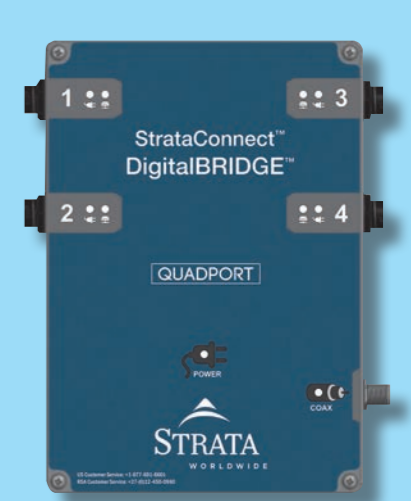
- Low Smoke Zero Halogen (LSZH) sheathing designed for underground applications
- Flooded cable for reliable long term operation in wet or in humid environments
- Ultra-low resistance cable (ULR)
- Transient protection

Connectivity 10/100/1000 Ethernet

- VLAN & QoS Support
- LLDP / CDP
- AVB / PTP Support

Power

- PoE & PoE+



POINT-TO-MULTIPOINT PoE DISTRIBUTION

StrataConnect DigitalBRIDGE™ is a point-to-multipoint Power-over-Ethernet (PoE) digital network for underground applications. It delivers both power and high speed data over a single coaxial cable to any location where digital end-point devices are desired. DigitalBRIDGE™ provides data speeds and capabilities comparable to fibre and can be used for Voice-over-IP (VoIP) communications, high-speed Wi-Fi data access, video, telemetry, tracking, tele-remoting and more.

Power and Connectivity where you need it, when you need it.

DigitalBRIDGE™ is simple to install and maintain, and is fully recoverable. Network management can be completed by on-site personnel, without the need for specialised technicians. Utilising off-the-shelf tools and standard procedures, personnel can cut and splice the coax cable to install or remove PoE end-point devices anywhere along the network.

DigitalBRIDGE™ is an ideal solution for extending digital coverage beyond the reach of fibre, with the option to travel in multiple directions. It can also be used as a stand-alone system.

| CAPABILITIES | BENEFITS |
|---|--|
| <ul style="list-style-type: none"> ● Wi-Fi access ● Voice communication ● Environmental monitoring and remote control (pumps, fans, sensors) ● Gas detection ● Video surveillance ● Backhaul from ore drive to surface ● Tele-remote operation ● Fleet management ● Refuge station connectivity ● Cisco Discovery Protocol (CDP) Support ● Damaged fibre replacement | <ul style="list-style-type: none"> ● Power and data in single cable* ● Dedicated medium ● Flexible and changeable cable lengths – no premium for short runs ● Up to 2000m without a repeater or dedicated power source ● Power injected at any point and travels in both directions ● Flexible placement of end-point devices along the cable ● Simple to reconfigure layout and change end-point device locations ● Not proprietary to specific brands of end-point devices ● No need for specialized technicians – fully manageable by on-site personnel ● Save time in basic planning, easy installation and low maintenance ● Remotely managed ● Fully recoverable <p style="font-size: small; margin-top: 10px;">* Direct Current (DC): 24 to 60 volts DC Up to 1 Gbps physical layer speed; typical end-to-end TCP throughput = 400-700 Mbps</p> |



AUSTRALIA
Unit 1 /8 Channel Road, Mayfield West
NSW, Australia, 2304
T: + 61 02 4960 9705
F: +61 24960 9938
info@strataproducs.com.au

USA
8995 Roswell Road, Suite 200
Sandy Springs GA 30350 USA
TF: 800-691-6601
T: 770-321-2500
F: 770-321-2520
info@strataworldwide.com

SOUTH AFRICA
Unit 15, Saligna Business Park
3 Saligna Street, Boksburg, 1459
T: +27 12 450 0960
F: +27 86 721 4738
info@strata-safety.co.za